

# Irrigation & Agriculture



## Water Meter, Model IRT

Special design with free water passage allows measurement of water with high contents of impurities.

- **Applications**  
Irrigation and sewerage metering
- **Available Sizes**  
3" - 10" (80mm - 250mm)

### Features:

- Negligible head loss
- Simple maintenance
- Field replaceable measuring unit
- Hermetically sealed register with glass lens
- Bearings are constantly flushed during operation to eliminate deposit of solids
- Optional electrical output: EV (Volume) or EF (Rate of Flow)
- Compatible with Dialog automatic reading system



### Technical Specifications

<b>Maximum Working Pressure</b>	16 bar
<b>Maximum Liquid Temperature</b>	60°C
<b>Body</b>	Cast iron, polyester coated
<b>Connection</b>	Flanges according to ISO, BS 10, ANSI 150 or others
<b>Register</b>	M3, U.S. Gallon, cu.ft, ML Central pointer or 3 pointers



IRT type dial

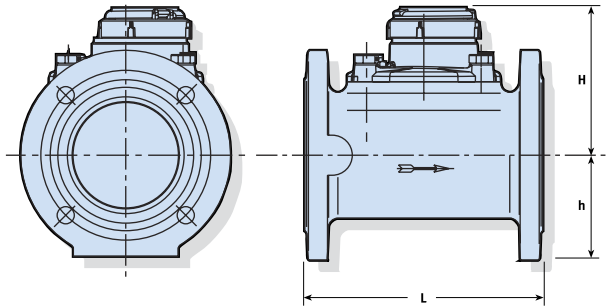
# Irrigation & Agriculture



## Water Meter, Model IRT

### Dimensions

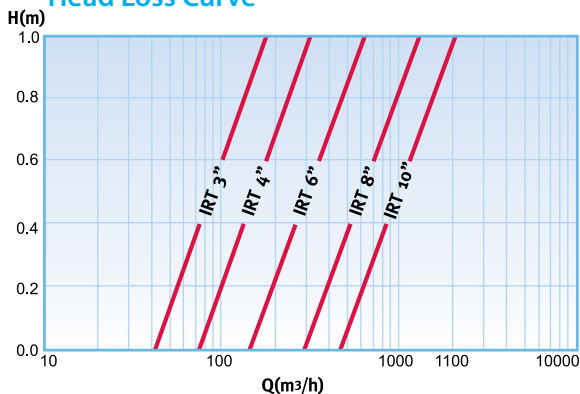
Model						
Nominal size	(mm)	80	100	150	200	250
	(inch)	3	4	6	8	10
L – Length without couplings (mm)		230	250	300	350	400
B – Width (mm)		240	260	310	315	438
H – Height (mm)		90	110	129	160	258
h – Height (mm)		16.5	19	32	45	55.5
Weight (kg)		15.5	19	35	47	75



### Performance data:

Model WSTsb		Qmax	Qn	Qn	Qmin	Maximum	Smallest	Accuracy	Accuracy
Nominal size		Maximum	Nominal	Transitional	Minimum	register	readable	between	between
(mm)	(inch)	flowrate	Flowrate	Flowrate	Flowrate	capacity	unit	Qmax & Qt	Qt & Qmin
		(m3/h)	(m3/h)	(m3/h)	(m3/h)	(m3)	(liter)		
80	3	150	90	10	5	10 <sup>7</sup>	10	±2%	±5%
100	4	250	125	11	7	10 <sup>7</sup>	10		
150	6	500	250	15	10	10 <sup>7</sup>	10		
200	8	900	450	30	18	10 <sup>7</sup>	10		
250	10	1400	750	70	20	10 <sup>8</sup>	100		

### Head Loss Curve



### Installation Requirements

- The meter can be installed in any position (horizontal, vertical or inclined)
- The meter must be always full of water while operating
- Prior to the installation of a new meter, the pipeline must be flushed out
- Straight pipe section of the same diameter D as the meter, having length of 10D and 5D shall be installed upstream and downstream of the meter respectively



Arad Ltd.

Dalia 19239, Israel, Tel: 972-4-9897911, Fax: 972-4-9897960

www.arad.co.il

