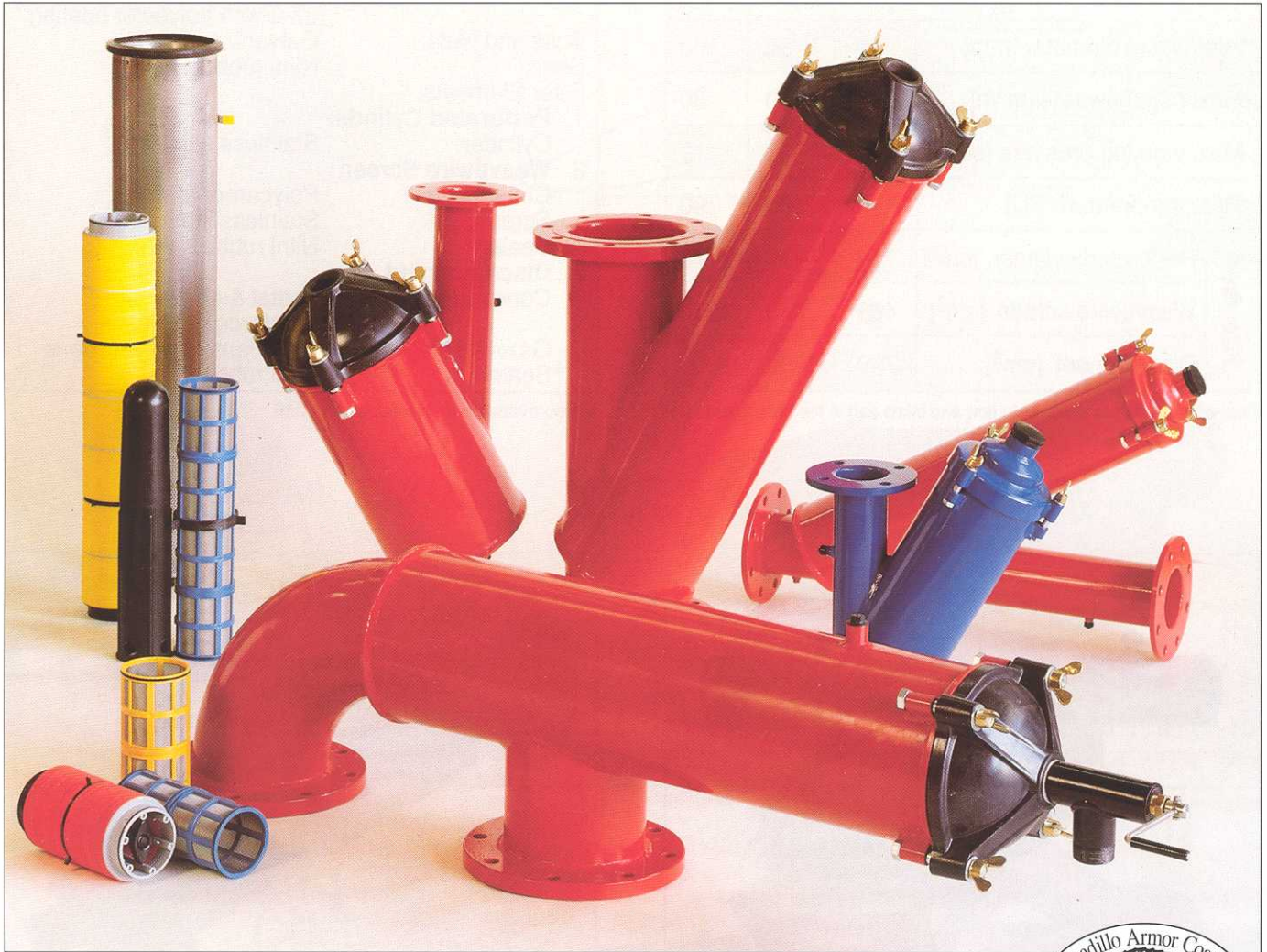


AMIAD MANUAL STEEL FILTERS

For flow rates up to 1000 m³/h



- Corrosive Resistant: Phosphate pre-treated, polyester coated steel (Armadillo Armor Coating), or 316 stainless steel housings.
- Filtration degrees available from 3500 to 50 micron.
- Filter elements in 316 stainless steel or plastic discs.
- No tools required for maintenance.
- Meets ISO 9001 standards.
- Optional turboclean feature provides for automatic cleaning of screen elements.
- Pressure check points for ease of determining filter cake build up.
- Various connections available to meet all international requirements.
- All filters are rated to 10 bar.



2" - 4" Steel Filters for Flow Rates up to 80 m³/h

Technical Specifications

Filter model	2"	3"	4"	
Inlet/Outlet diameter [mm]	50	80	100	
Maximum flow rate [m ³ /h]	25	50	80	
Max. working pressure [bar]	10	10	10	
Max. temperature [°C]	90	90	90	
Filter Area	Perforated cylinder [cm ²]	700	1430	2175
	Weavewire screen [cm ²]	465	930	1850
	Disc element [cm ²]	790	1700	2600

Filter area: Total area exposed to flow and takes part in the filtering process.

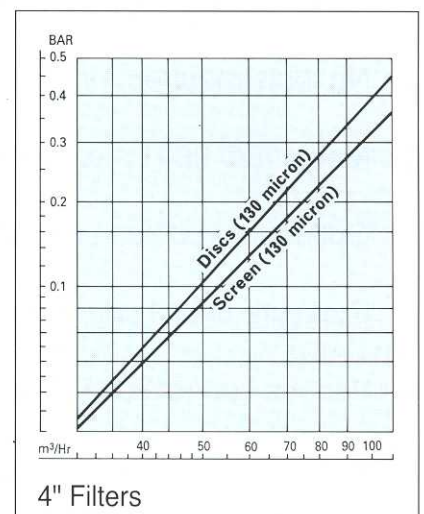
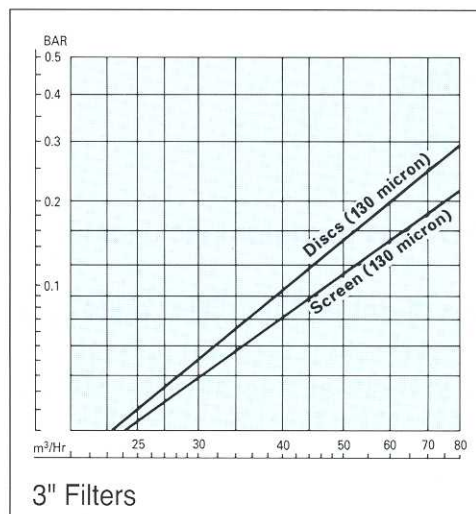
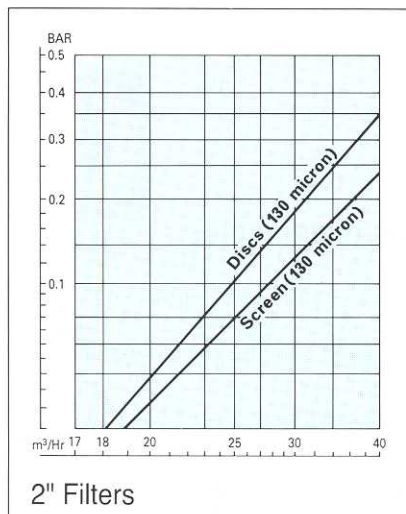
Construction Materials

Housing and Lid:	Phosphate pre-treated steel 37-2 with polyester coating.*
Bolts and Nuts:	Galvanized steel*
Seals:	Nitril rubber
Filter Elements:	
1. Perforated Cylinder	
Cylinder:	Stainless steel 316
2. Weavewire Screen	
Construction:	Polycarbonate
Screen:	Stainless steel 316
Seals:	Nitril rubber
3. Discs Element	
Construction:	Acetal & glass
Grooved discs:	Reinforced polyester
Seals:	High density polyethylene
	Nitril rubber

* Also available in stainless steel 316.



Pressure Loss Graphs

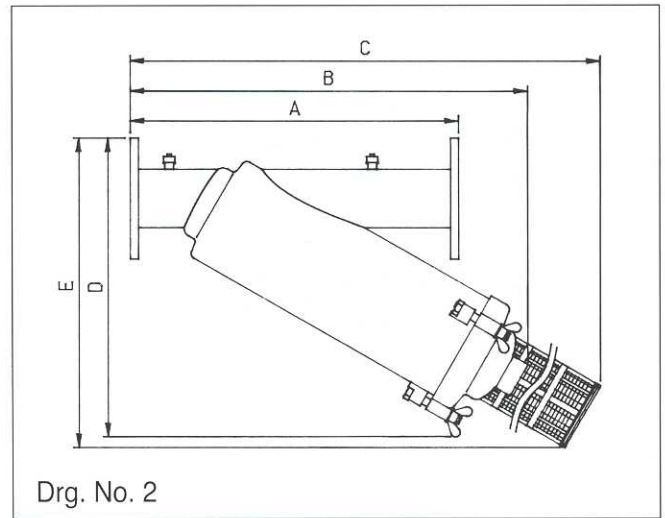
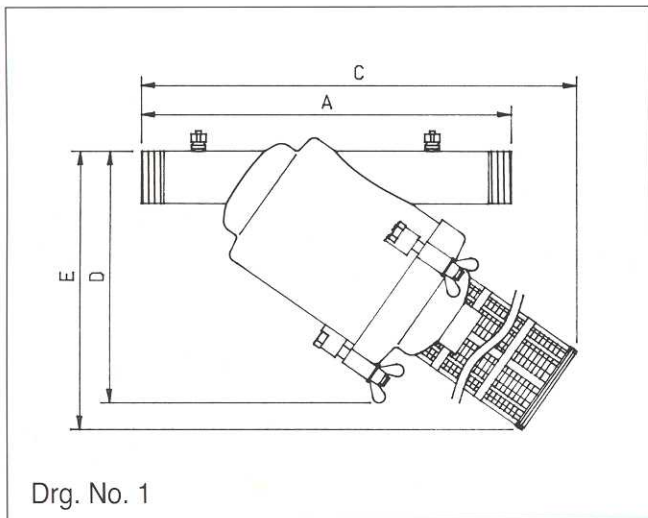


Dimensions and Weight

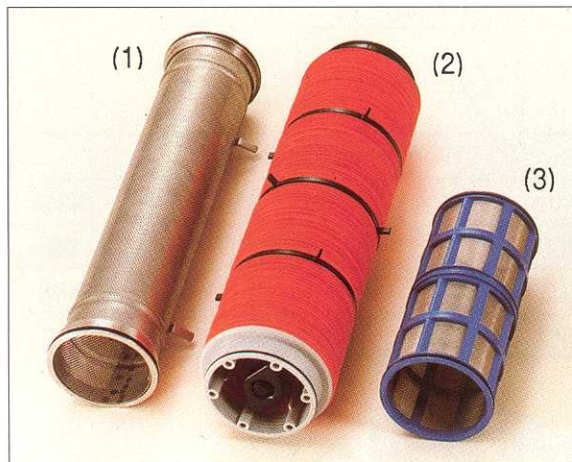
Filter Size	Filter Model	Cat. No.	Inlet / Outlet Connections	Weight [kg]		Dimensions [mm]					Drg. No.
				Screen	Discs	A	B	C	D	E	
50 mm	2" In-line	02-020	Thread	7.3	8.1	420	-	550	290	380	1
50 mm	2" In-line	02-020	Flange	10.5	11.3	460	-	550	343	430	2
80 mm	3" In-line	02-030	Thread	13.6	15.2	545	620*	1000	410	580	1
80 mm	3" In-line	02-030	Flange	16.6	18.2	495	605	970	457	630	2
100 mm	4" In-line	02-040	Flange	27.5	30.0	800	830	1430	600	900	2

* Refer to Drawing No. 2

Dimensions subject to change without notice, apply for certified drawings.



Filtration Elements



How to Order

02-	filter type A	design B	kind C	material D,E	connection F	element G	filtration degree XXX
	2" - 02 3" - 03 4" - 04	Y-type - 0 L-type - 1 Super - 2		steel, red - 11 steel, blue - 12 steel, rubber - 13 stainless steel - 24	BR - 00 US - 10 EU - 20 JIS - 41 NPT - 50 VIC - 90	w/o screen - 000 50μ - 005 80μ - 008 100μ - 010 130μ - 013 200μ - 020 250μ - 025 300μ - 030 500μ - 050 800μ - 080 1500μ - 150 2500μ - 250 3500μ - 350	
				standard - 0 high pressure - 1	perforated - 0 weavewire - 1 turboclean - 2 autoflush - 3 discs - 7		

Filtration Degrees

Code	Perforated Cylinder (1)				Weavewire Screen (3)							Grooved Disc Element (2)			
	Brown	Purple	Orange	Grey	Green	Blue	White	Red	Yellow	Black	Orange	Brown	Purple	Red	Yellow
Micron	3500	2500	1500	800	500	300	200	130	100	80	50	250	180	130	100
MM	3.5	2.5	1.5	0.8	0.5	0.3	0.2	0.13	0.1	0.08	0.05	0.25	0.18	0.13	0.1
Mesh	4	6	10	20	30	50	75	120	155	200	300	60	80	120	155

4"S - 8" Steel Filters for Flow Rates up to 300 m³/h

Technical Specifications

Filter model	4"S	6"	6"S	8"
Inlet/Outlet diameter [mm]	100	150	150	200
Maximum flow rate [m ³ /h]	80	160	160	300
Max. working pressure [bar]	10	10	10	10
Max. temperature [°C]	90	90	90	90
Filter area [cm ²]	2740	2740	5720	5720

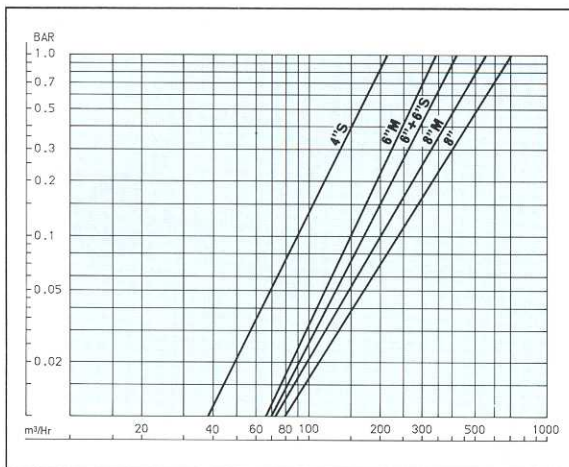
Filter area: Total area exposed to flow and takes part in the filtering process.

Construction Materials

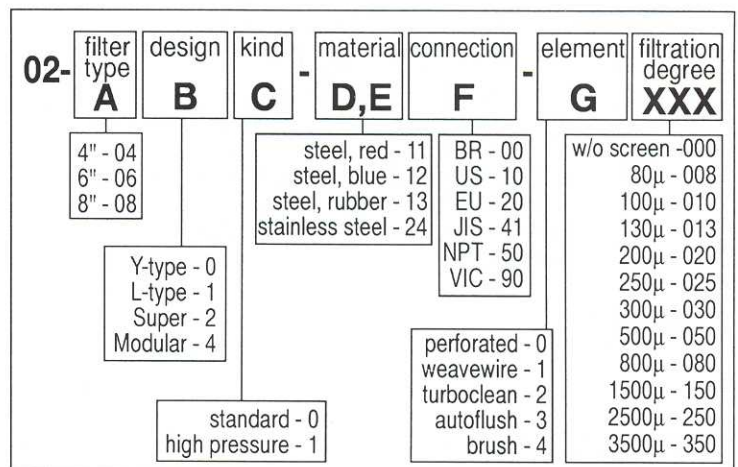
Housing:	Phosphate pre-treated steel 37-2 with polyester coating.*
Lid:	SMC polyester
Bolts and Nuts:	Galvanized steel*
Seals:	Nitril rubber
Filter Elements:	
1. Perforated Cylinder	
Cylinder:	Stainless steel 316
Seals:	Nitril rubber
2. Weavewire Screen	
Screen:	Stainless steel 316
Seals:	Nitril rubber

* Also available in stainless steel 316

Pressure Loss Graphs

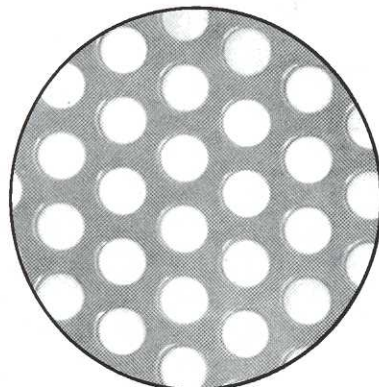


How to Order

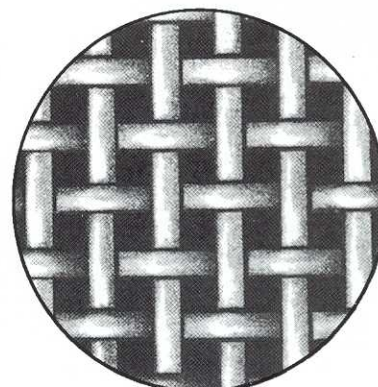


Filtration Degrees

Code	Perforated Cylinder					Weavewire Screen				
	Brown	Purple	Orange	Grey	Green	Blue	White	Red	Yellow	Black
Micron	3500	2500	1500	800	500	300	200	130	100	80
MM	3.5	2.5	1.5	0.8	0.5	0.3	0.2	0.13	0.1	0.08
Mesh	4	6	10	20	30	50	75	120	155	200



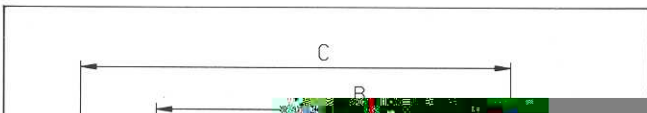
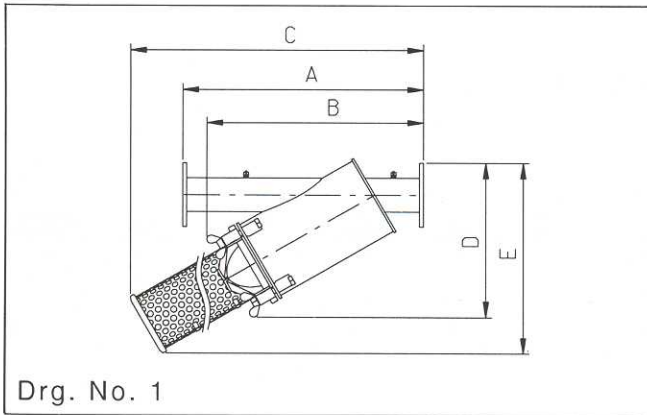
Perforated Cylinder



Weavewire Screen

Dimensions and Weight

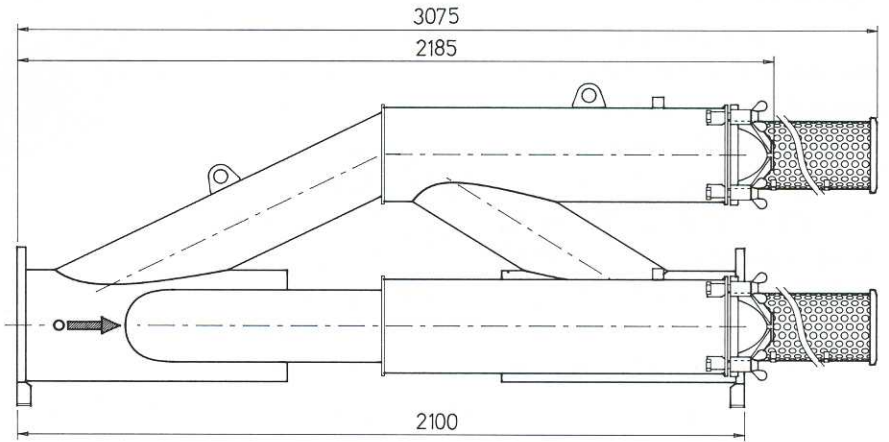
Filter Size	Filter Model	Cat. No.	Weight [kg]	Dimensions [mm]					Drg. No.
				A	B	C	D	E	
100 mm	4"S (In-line)	02-042	38	800	–	1200	594	650	1
150 mm	6" (In-line)	02-060	43	750	762	1090	576	750	1
150 mm	6"S (In-line)	02-062	56	750	1130	1910	860	1200	1
150 mm	6"S (Modular)	02-064	60	620	1450	2270	410	–	2
200 mm	8" (In-line)	02-080	65	750	1180	1950	880	1270	1
200 mm	8" (Modular)	02-084	76	620	1605	2500	475	–	2





Dimensions

The dimensions in this view are the same for all following filter types.



Technical front view of a 10-inch filter. The total width is 1280. The distance between the two side filter elements is 500. The height of the side filter elements is 417.

3D perspective view of a 10-inch red filter assembly, showing the main body and two side filter elements.

10" Filter 02-10

Technical front view of a 12-inch filter. The total width is 1280. The distance between the two side filter elements is 500. The height of the side filter elements is 940.

3D perspective view of a 12-inch red filter assembly, showing the main body and two side filter elements.

12" Filter 02-12

Technical front view of a 14-inch filter. The total width is 1000. The distance between the two side filter elements is 707. The height of the side filter elements is 1065.

3D perspective view of a 14-inch red filter assembly, showing the main body and two side filter elements.

14" Filter 02-14

Automatic and Semi-automatic Cleaning

TURBOCLEAN

A revolutionary solution for non-stop filtration: Particles are pushed to the debris area, and the filter screen remains clean at all times.

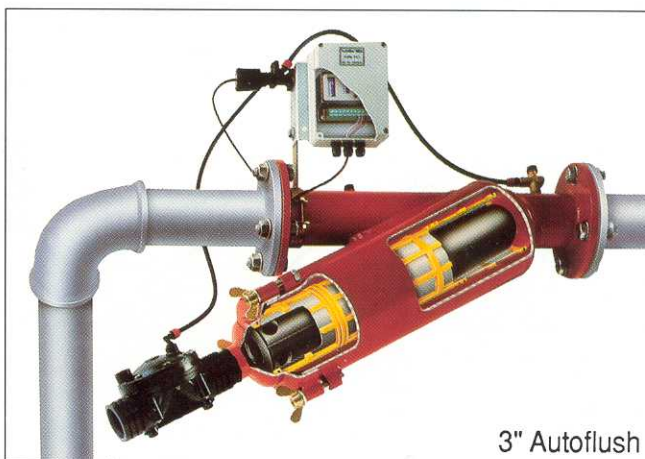
The Turboclean consists of an Amiad screen cylinder with a Torpedo inserted inside the screen. The Torpedo is a static hydrodynamic device which fills most of the space inside the screen cylinder, creating high velocity along the screen, thus preventing particles from remaining on it. Periodical opening of the drain port will release the dirt from the debris area without the need to open the filter for cleaning.



8" Turboclean

AUTOFLUSH

Automatic flushing of Turboclean filters: The Autoflush filters are supplied with a hydraulic flushing valve that opens automatically by means of an electronic timer. The electronic timer allows determination of the flushing duration and the flushing intervals. For filters with more than one flushing valve and for multi units, Amiad offers modular timers which can be used for two or more filters operated in sequence.



3" Autoflush

BRUSHAWAY

For Semi-Automatic cleaning of 4"-14" filters.

The unit is made of nylon brushes, on a stainless steel frame, which is threaded into the filter lid and the brush assembly is then inserted inside the stainless steel screen.

A simple handle, outside the filter lid, allows to brush away particles from the screen, and to expel out of the filter. Brushing is done during the filtering process without having to stop the water supply.



4" Brushaway



amiad filtration systems

Manufacturer and Head Office: Amiad Filtration Systems (1997) Ltd.

D.N. Galil Elyon 1 • 12335 • Israel • Tel: +972-4-690-9500 • Fax: +972-4-690-9391 • E-Mail: mrketing@amiad.co.il

North America: Amiad Filtration Systems • 2220 Celsius, Unit B • Oxnard, CA. 93030 • USA • Tel: (805)988-3323 • Fax: (805)988-3313

Australia: Amiad Australia Pty. Ltd. • 3/15 Brisbane St. • Eltham • Victoria 3095 • Tel: 03-9439-3533 • Fax: 03-9439-1612

Germany: Amiad Filtration Systems • Gerstäckerstr. 9 • D-20459 Hamburg • Germany • Tel: +49-40-3609-6770 • Fax: +49-40-3609-6765

France: Amiad France S.A.R.L. • 4-6, Boulevard Exelmans • 75016 Paris • France • Tel: +33-14-647-7679 • Fax: +33-14-647-6716

South America: Amiad Sur • José Ellauri 357/Of.803 • Montevideo CP 11300 • Uruguay • Tel: +598-2-711-0723 • Fax: +598-2-711-2469

Singapore: F.C.S. Pte. Ltd. • 111 North Bridge Road • #07-07 Peninsula Plaza • Singapore 179098 • Tel: +65-337-6698 • Fax: +65-337-8180



AMIAD products undergo constant monitoring for quality control. The manufacturer reserves the right to incorporate changes and improvements in the product without prior notice.

Ref: 95-044-200-003/04.02